

GlammFire

# Fogly

**Materials//** Rusted Corten  
Steel

**Options//**  
**Finishings//** Lacquered Steel

**Accessories//** Black Glass  
Mirror



## Crea7ion By GlammFire—The line of perfection

It is designed to emphasize the unique and continuous expressions of the flame. Crea7ion is an electronic system with an innovative technology, which stand out its simple design, practical functionality and low consumption. Its structure and solidity ensure a perfectly safe and linear flame, while its ecological character keeps a respecting commitment to the environment, contributing to a pleasant comfort and well-being.

Crea7ion can be integrated into virtually any environment or directly in different types of structures (eg.: furniture or masonry). A system totally safe for projects led by architects, decorators and interior designers.

Control the pleasure of your fire.

**Dimensions//** 1500 w x 800 h x 275 d mm

**Weight//** 84 kg

**Protection//** high temperature resistant glass

**Packing Dimensions//** 530 h x 955 w x 1956 d mm

**Total Weight//** 160 kg

**Tank//** 3 litres (liquid bioethanol)

**Combustion fire line//** 800 mm

**Power//** 4,5 kW

**Autonomy//** 3 hours

/CO detector included



## GlammFire

Recuperadores Pachinha Lda.  
Zona Industrial da Lagoa, Lote G1  
4950-850 CORTES - MONÇÃO  
PORTUGAL

Tel(+351) 251 654 800  
Fax(+351) 251 654 801  
info@glammfire.com  
www.glammfire.com

*glamm*<sup>®</sup>  
fire

GlammFire

# Fogly



## GlammFire

Recuperadores Pachinha Lda.  
Zona Industrial da Lagoa, Lote G1  
4950-850 CORTES - MONÇÃO  
PORTUGAL

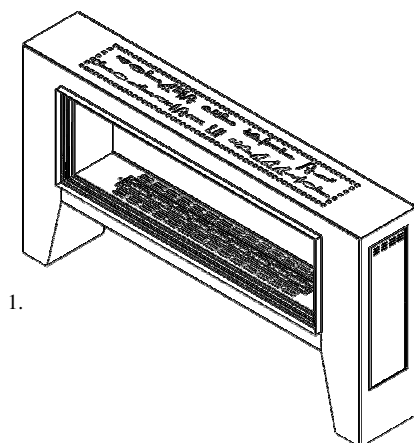
Tel(+351) 251 654 800  
Fax(+351) 251 654 801  
info@glammfire.com  
www.glammfire.com

*glamm*<sup>®</sup>  
fire

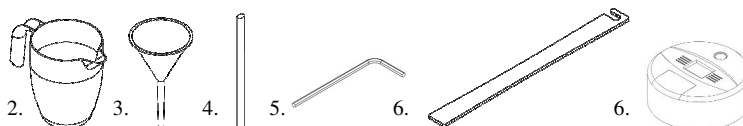
GlammFire

# Fogly

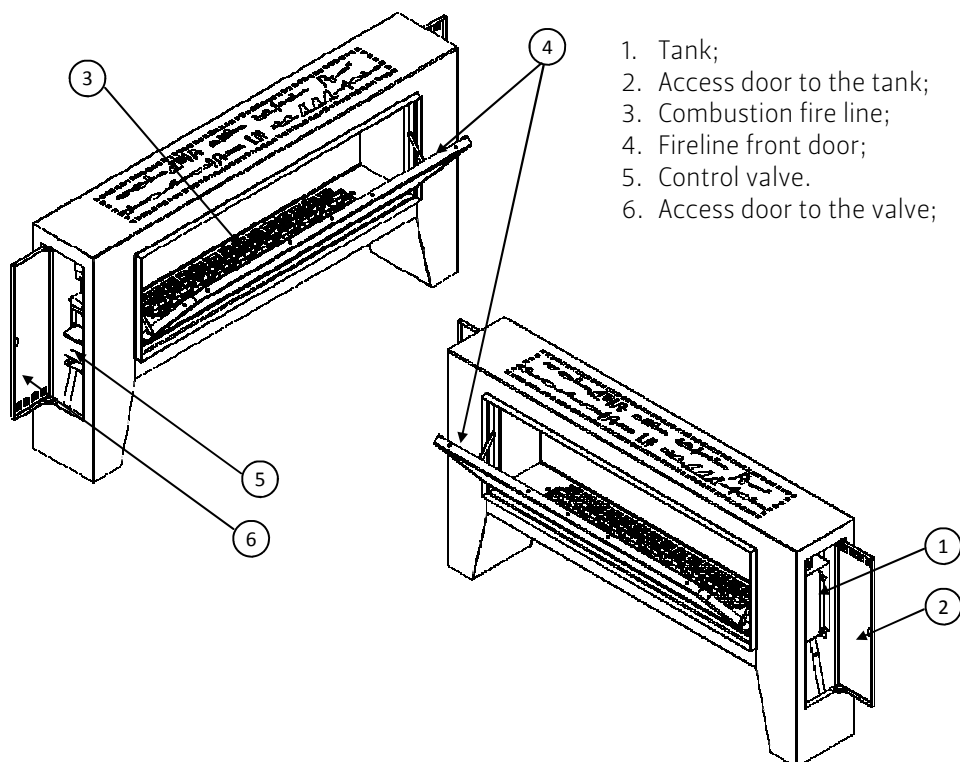
Material Supplied



1. Fireplace;
2. Mug;
3. Funnel;
4. Lighter;
5. Hex Key;
6. Key;
7. CO Detector;



Components



1. Tank;
2. Access door to the tank;
3. Combustion fire line;
4. Fireline front door;
5. Control valve.
6. Access door to the valve;

GlammFire

Recuperadores Pachinha Lda.  
Zona Industrial da Lagoa, Lote G1  
4950-850 CORTES - MONÇÃO  
PORTUGAL

Tel(+351) 251 654 800  
Fax(+351) 251 654 801  
info@glammfire.com  
www.glammfire.com

glamm®  
fire

GlammFire

# Fogly

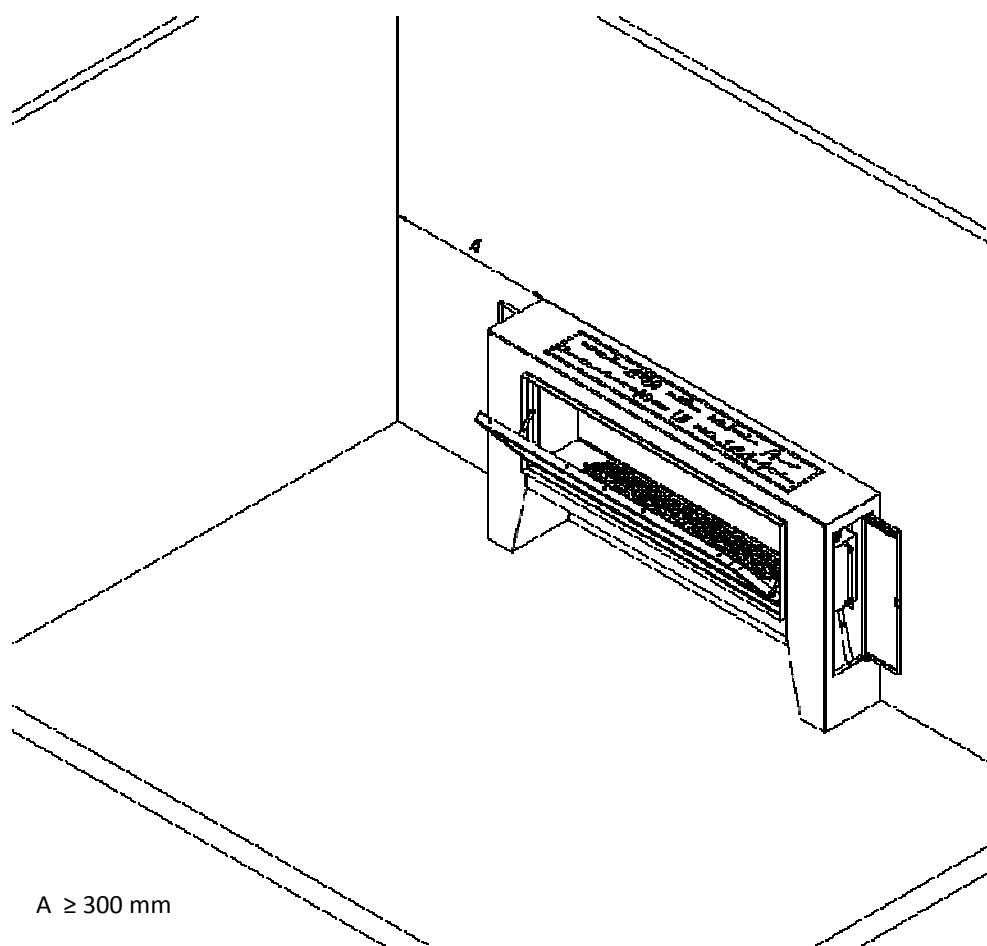
## Installation

In order to ensure a safety margin respect to the ground it is recommended to keep a minimum distance of 400 mm between the floor and the top of the combustion fire ;

The surface which you want to install the combustion fire must be as level as possible;

## Dimensions:

To access to the control valve and tank will be necessary to ensure a distance between the fireplace and potential obstacles on lateral sides superior to 300 mm.



$A \geq 300 \text{ mm}$

## GlammFire

Recuperadores Pachinha Lda.  
Zona Industrial da Lagoa, Lote G1  
4950-850 CORTES - MONÇÃO  
PORTUGAL

Tel(+351) 251 654 800  
Fax(+351) 251 654 801  
info@glammfire.com  
www.glammfire.com

*glamm*<sup>®</sup>  
fire

GlammFire

# Fogly

## Flammable materials

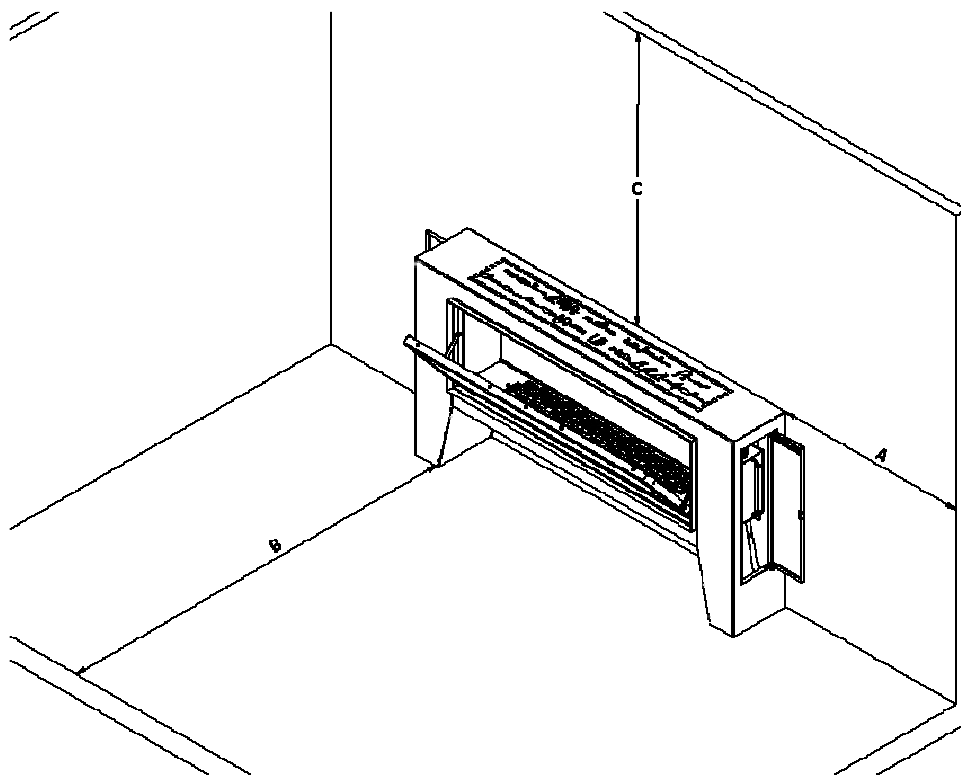
- Do not place flammable materials near the fireplace, within 1m;
- Racks or shelves should be distant:
  - From fireplaces: 500 mm;
  - From combustion fire lines: 1000 mm;

## Materials: stone/metal/ceramics

- A - 150 mm;
- B - 100 mm;
- C - 500 mm;

## Other non-flammable materials

- A - 200 mm;
- B - 250 mm;
- C - 600 mm;



## GlammFire

Recuperadores Pachinha Lda.  
Zona Industrial da Lagoa, Lote G1  
4950-850 CORTES - MONÇÃO  
PORTUGAL

Tel(+351) 251 654 800  
Fax(+351) 251 654 801  
info@glammfire.com  
www.glammfire.com

*glamm*<sup>®</sup>  
fire

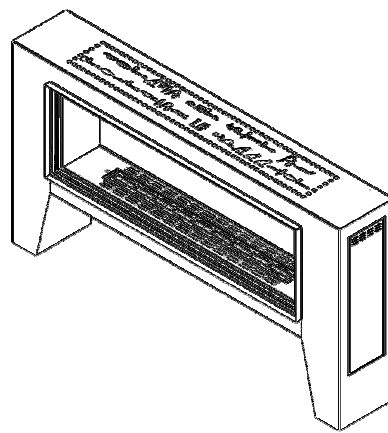
GlammFire

# Fogly

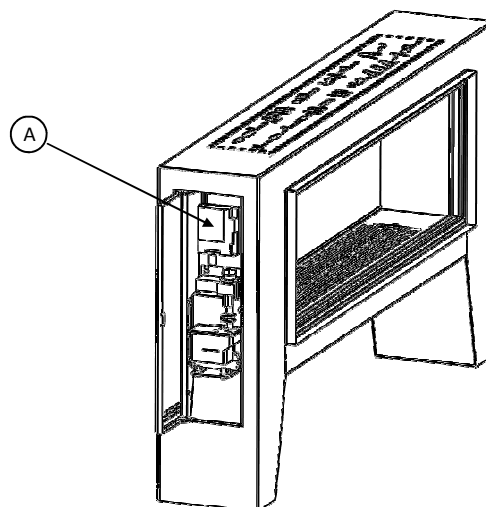
## Installation Procedures

### Very Important:

We recommend extreme caution when unpacking your fireplace.  
Place the fireplace in the desired location and check the stability and levelling.  
Make sure your fireplace is level.



Insert the supplied batteries into the remote control and electronic controller located on the left side of the fireplace (A).



## GlammFire

Recuperadores Pachinha Lda.  
Zona Industrial da Lagoa, Lote G1  
4950-850 CORTES - MONÇÃO  
PORTUGAL

Tel(+351) 251 654 800  
Fax(+351) 251 654 801  
info@glammfire.com  
www.glammfire.com

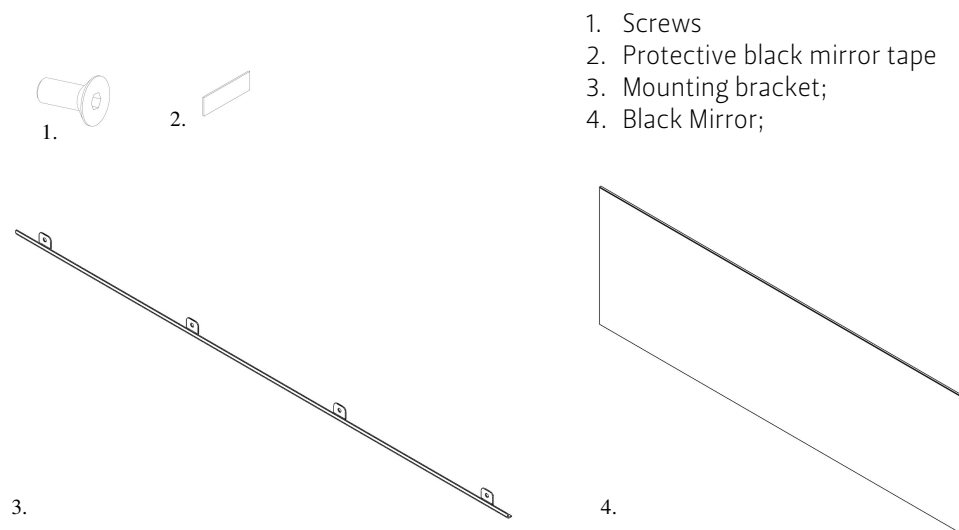
*glamm*<sup>®</sup>  
fire

GlammFire

# Fogly

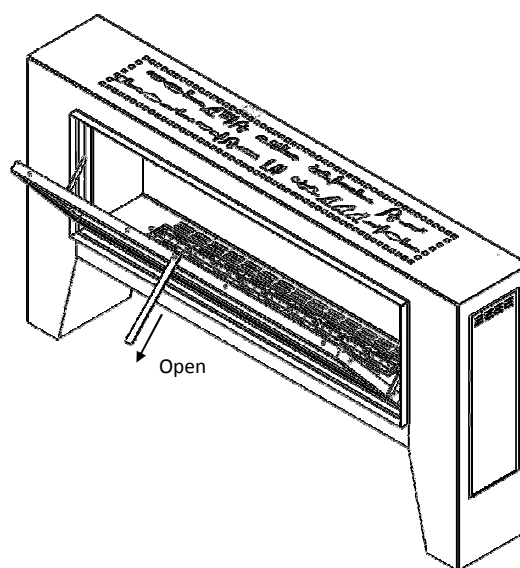
Installation of optional Black Mirror

Material Supplied



## Optional Black Mirror Installation Procedures

Open the Front Door to have access to the Fireline (A), find the holes for the screws in the interior (B) in order to proceed the installation.



## GlammFire

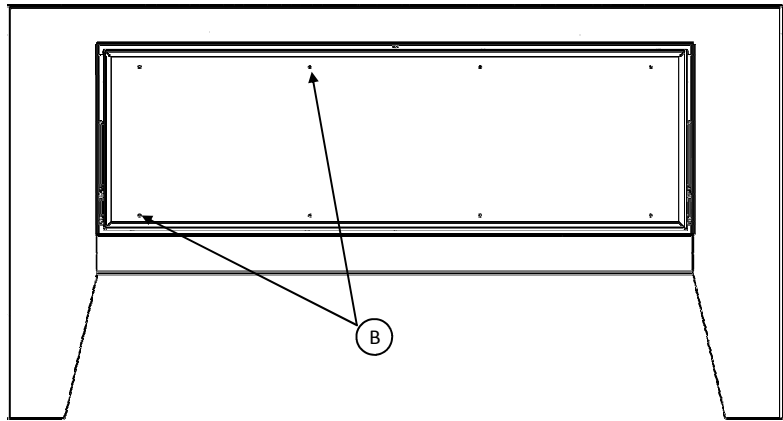
Recuperadores Pachinha Lda.  
Zona Industrial da Lagoa, Lote G1  
4950-850 CORTES - MONÇÃO  
PORTUGAL

Tel(+351) 251 654 800  
Fax(+351) 251 654 801  
info@glammfire.com  
www.glammfire.com

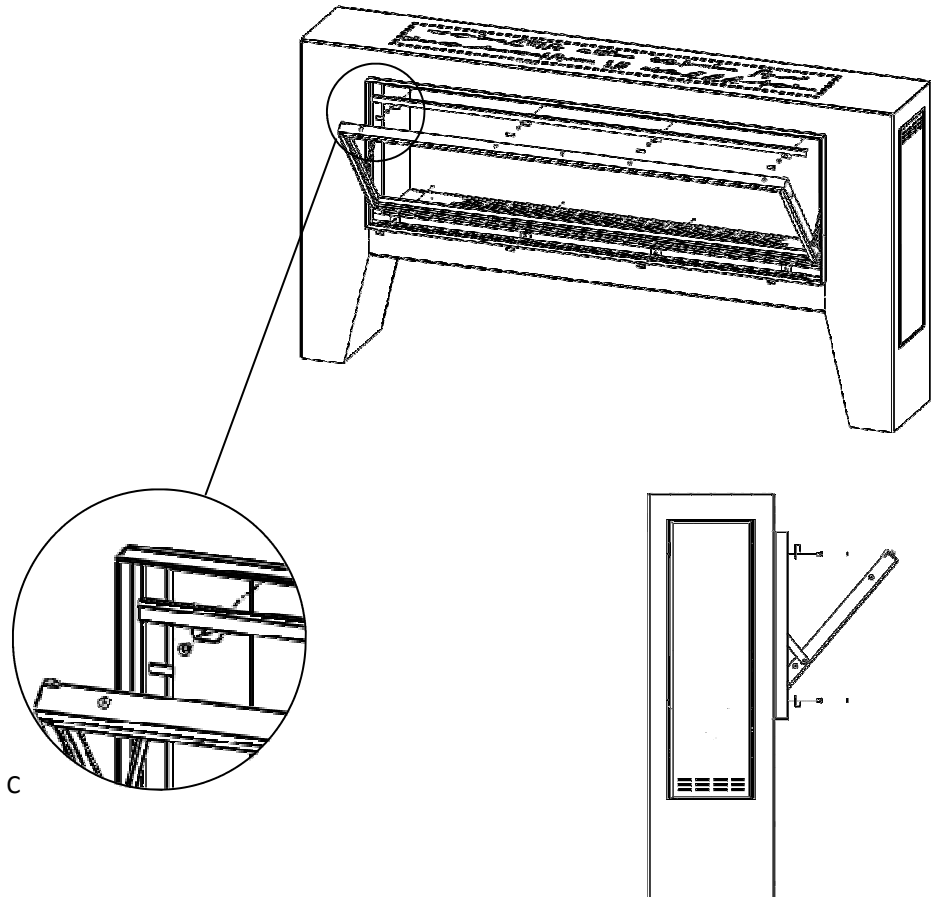
glamm®  
fire

GlammFire

# Fogly



Screw the mounting brackets using the screws supplied and do not forget to put the protective black mirror tapes (C).



## GlammFire

Recuperadores Pachinha Lda.  
Zona Industrial da Lagoa, Lote G1  
4950-850 CORTES - MONÇÃO  
PORTUGAL

Tel(+351) 251 654 800  
Fax(+351) 251 654 801  
info@glammfire.com  
www.glammfire.com

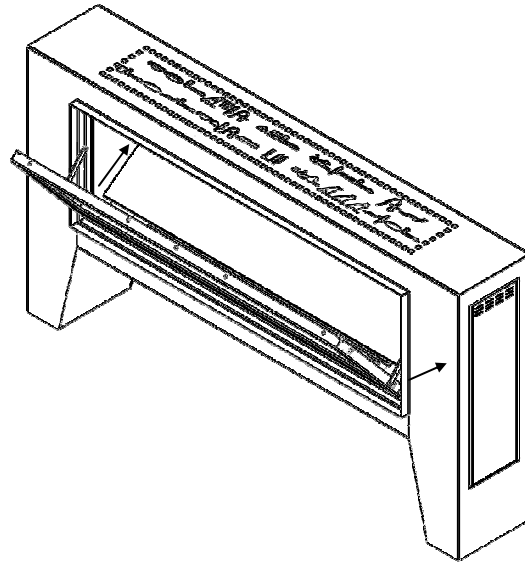
*glamm*<sup>®</sup>  
fire



GlammFire

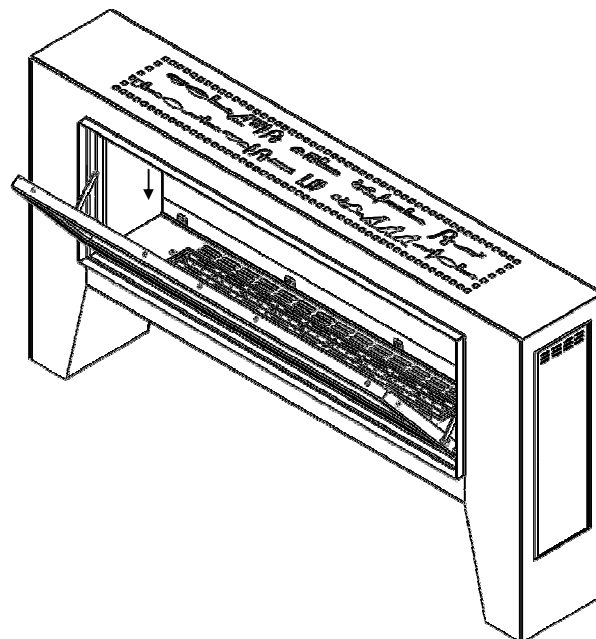
# Fogly

Place the black mirror, inserting it into the upper mounting bracket. When docked touch it inside the fireplace (D).



Let the black mirror slide slowly, without dropping it, to fit into the lower mounting bracket. (E)

Make all procedures very carefully so as not to damage the black mirror.



## GlammFire

Recuperadores Pachinha Lda.  
Zona Industrial da Lagoa, Lote G1  
4950-850 CORTES - MONÇÃO  
PORTUGAL

Tel(+351) 251 654 800  
Fax(+351) 251 654 801  
info@glammfire.com  
www.glammfire.com

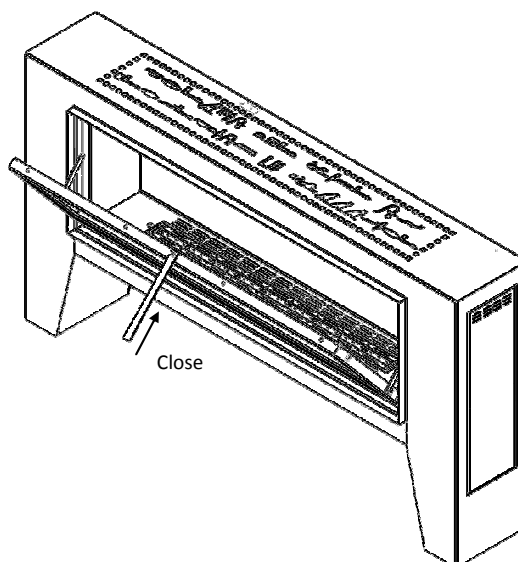
*glamm*<sup>®</sup>  
fire

GlammFire

# Fogly

Close the fireline front door using the Key included on the Kit (F).

The installation of your fireplace is complete.



F

## GlammFire

Recuperadores Pachinha Lda.  
Zona Industrial da Lagoa, Lote G1  
4950-850 CORTES - MONÇÃO  
PORTUGAL

Tel(+351) 251 654 800  
Fax(+351) 251 654 801  
info@glammfire.com  
www.glammfire.com

*glamm*<sup>®</sup>  
fire

GlammFire

# Fogly

## Operation Instructions

- Access to the tank through the access door on the right side of the fireplace;
- Access to the deposit of bioethanol through the access door on the right side of the fireplace; With the help of the funnel and mug provided fill the desired amount of fuel (maximum: 3 litres). Check the filling level through the viewfinder;
- **Light the fireplace:** Press **A + B** simultaneously  
After a few seconds will be issue multiple beeps and then it will happen a discharge that will cause the deflagration of the flame. If the deflagration does not occur, make another attempt.

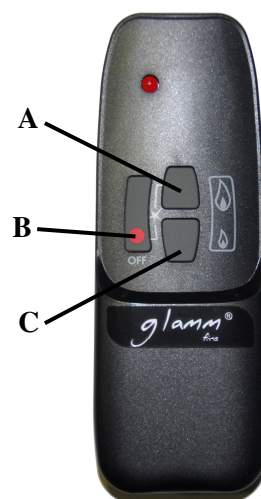
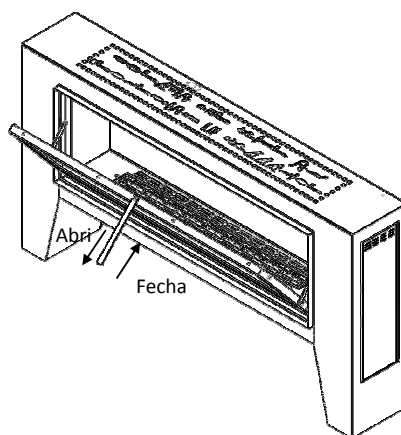
If bioethanol is too cold it will be necessary to light using the lighter supplied.

For security reasons it is not possible to light the fireplace when combustion fire line is hot, you will need to wait about 20 to 30 minutes.

- **Flame regulation:** **A** to increase, **C** to decrease.
- **Switch off:** Press **B**  
After cutting flame may remain small residual flames at the point of fuel inlet for approximately 2 to 10 minutes. At the end of that time the flame becomes extinct completely.

## In case the automatic ignition fails

If the automatic ignition does not work, open the fireline front door with the Key included on the Kit and start a mechanical ignition directly with the Lighter.



## GlammFire

Recuperadores Pachinha Lda.  
Zona Industrial da Lagoa, Lote G1  
4950-850 CORTES - MONÇÃO  
PORTUGAL

Tel(+351) 251 654 800  
Fax(+351) 251 654 801  
info@glammfire.com  
www.glammfire.com

**Note:** Do not place absolutely any object on top of the fireplace because of the hot temperatures, and do not cover the top heating exits. The Fireplace should be carefully handled and placed regarding the high temperatures.

*glamm*<sup>®</sup>  
fire

GlammFire

# Fogly

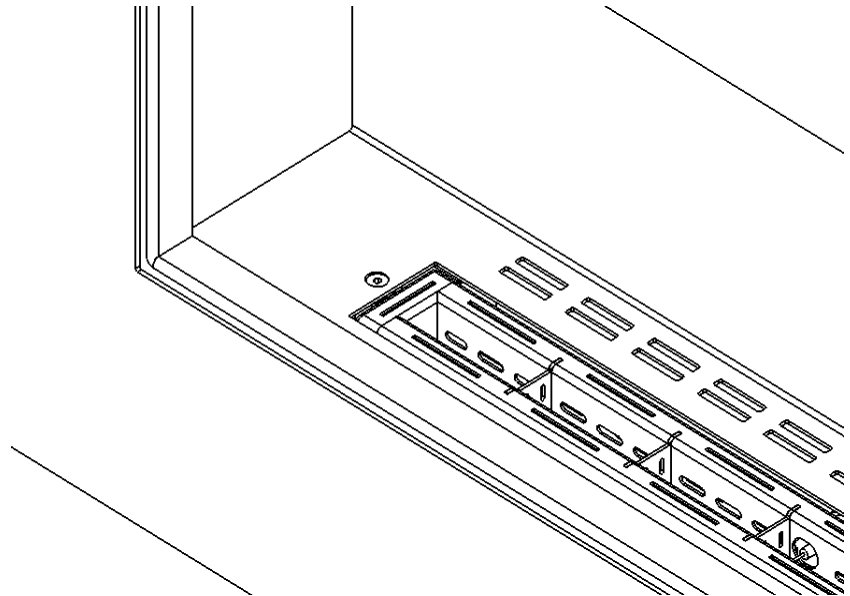
## Levelling of combustion fire line

If the flame does not occupy the entire opening will be necessary to level the combustion fire line.

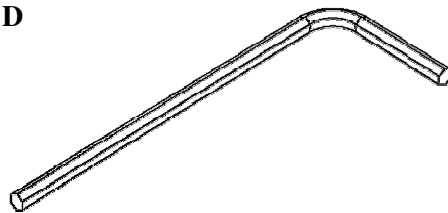
Lack of flame on the left: Turn the screw clockwise to clockwise. Parallel turn the screw counter clockwise.

Lack of flame on the right side: Turn the screw clockwise to clockwise. Parallel turn the right screw counter clockwise.

Repeat the procedure described till to get a uniform flame.



**D**



## GlammFire

Recuperadores Pachinha Lda.  
Zona Industrial da Lagoa, Lote G1  
4950-850 CORTES - MONÇÃO  
PORTUGAL

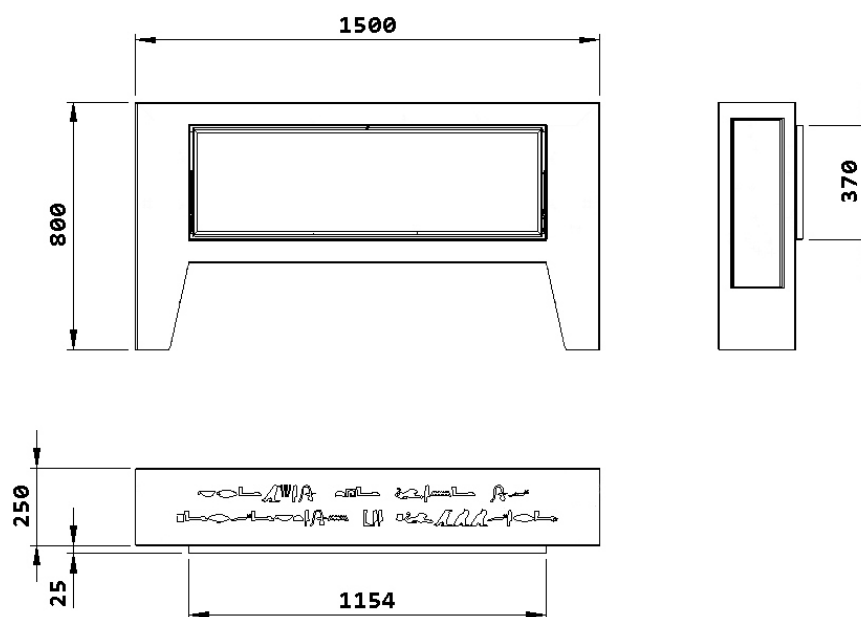
Tel(+351) 251 654 800  
Fax(+351) 251 654 801  
info@glammfire.com  
www.glammfire.com

*glamm*<sup>®</sup>  
fire

GlammFire

# Fogly

Overall Dimensions



GlammFire

Recuperadores Pachinha Lda.  
Zona Industrial da Lagoa, Lote G1  
4950-850 CORTES - MONÇÃO  
PORTUGAL

Tel(+351) 251 654 800  
Fax(+351) 251 654 801  
info@glammfire.com  
www.glammfire.com

PT05333-A *glamm*<sup>®</sup>  
fire