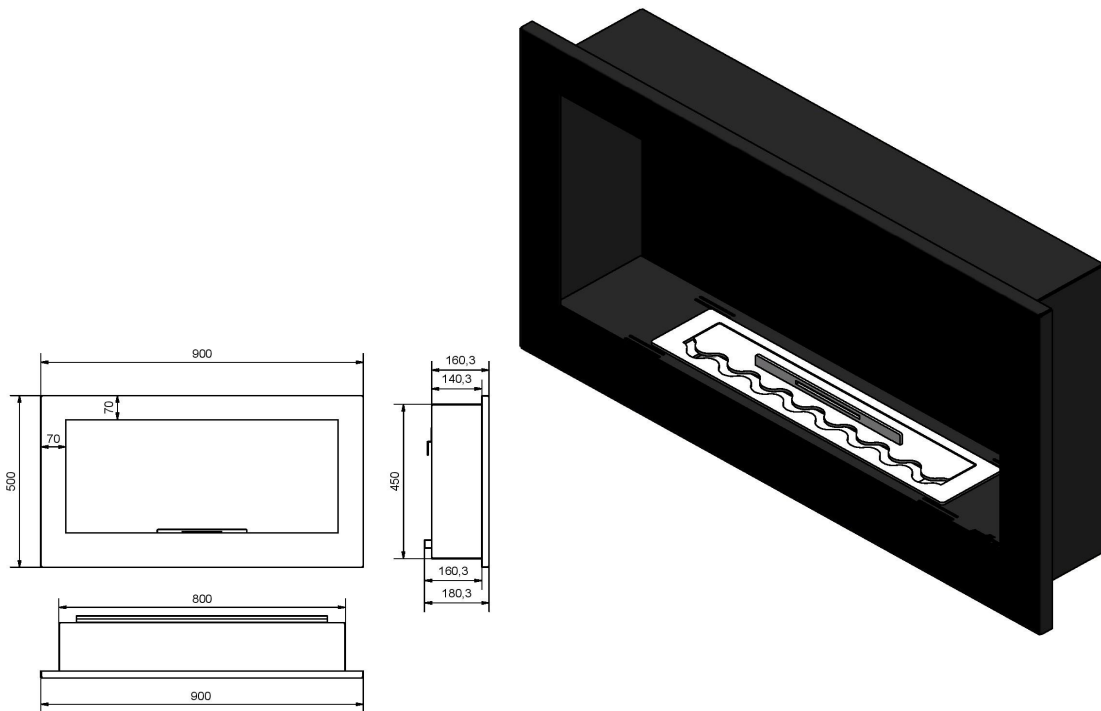


## INSIDE 900



### 1. Technical description:

Color: Black  
Size: 900X500X180mm  
Weight: 16kg

### 2. Components and kit:

Burner: 500mm, capacity 1,0 liter 4mm stainless steel INOX  
Glass: 4mm tempered glass – tinted

### 3. Material:

Powder coated steel

### 4, Mounting:

Hang on the wall/ in the cavity 810x460x170mm