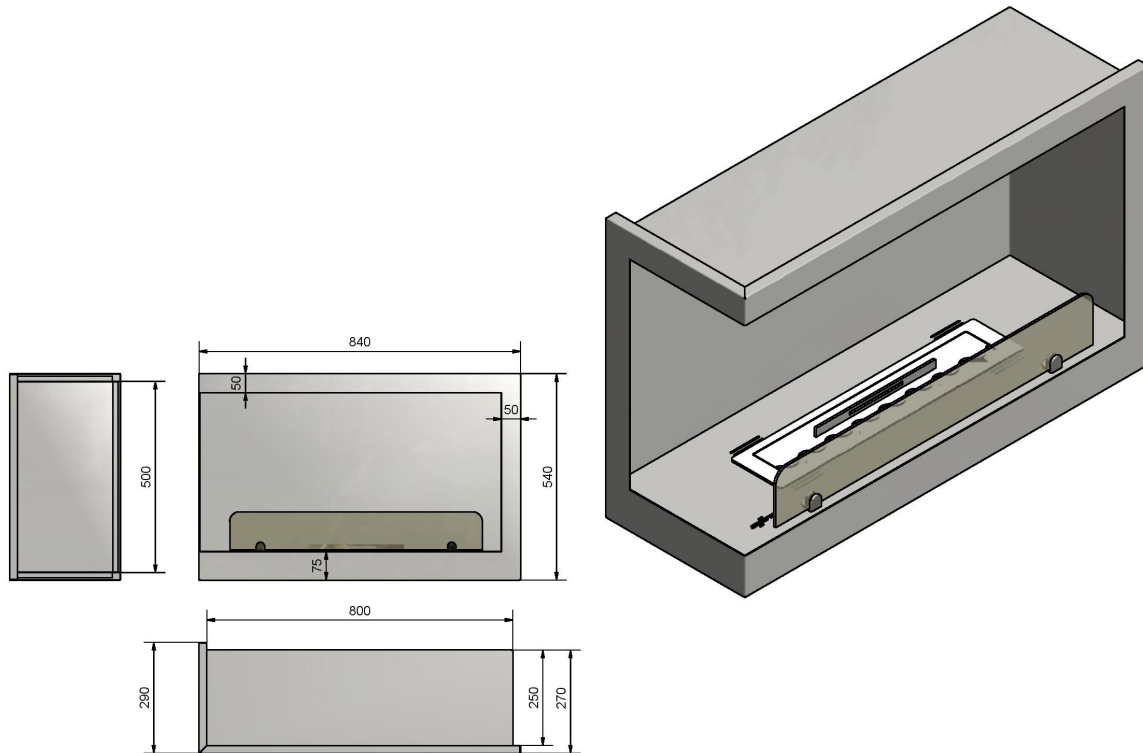


INSIDE L800V1



1. Technical description:

Color: Black
Size: 840X540X290mm
Weight: 14kg

2. Components and kit:

Burner: 500mm, capacity 1,0 liter 4mm stainless steel INOX
Glass: 4mm tempered glass – tinted

3. Material:

Powder coated steel