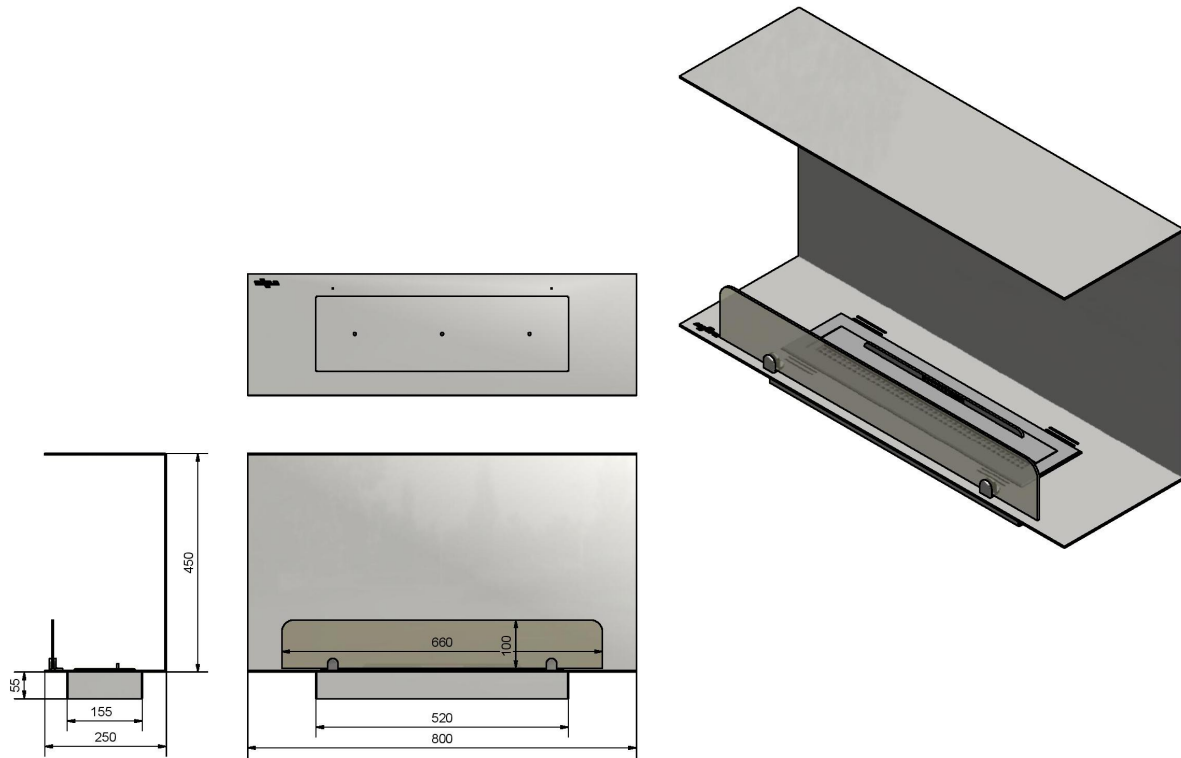


## INSIDE C800V1



### 1. Technical description:

Color: Black  
Size: 800X450X250mm  
Weight: 12kg

### 2. Components and kit:

Burner: 500mm, capacity 1,0 liter 4mm stainless steel INOX  
Glass: 4mm tempered glass – tinted

### 3. Material:

Powder coated steel