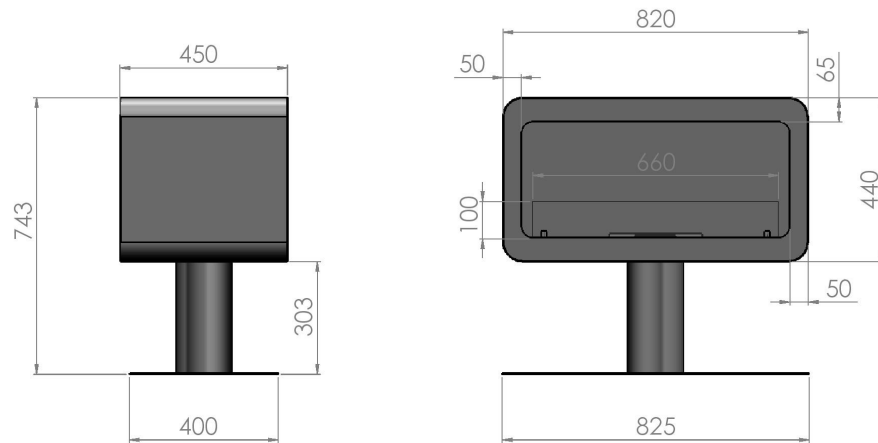


INECCO



1. Technical description:

Color: BLACK + WHITE

Size: 820X740X450mm

Weight: 26kg

2. Components and kit:

Burner: 500mm, capacity 1,0 liter 4mm stainless steel INOX

Glass: 4mm tempered glass – tinted

3. Material:

Powder coated steel